



600W Single Output Power Supply AM-600W series (110-120V)



□ Features :

- AC input range pre-set by manufacturer
- Input voltage: 100-120V ONLY
- Max Input Rated Voltage : 90 to 130VAC
- Fan cooling when TEMP > 55°C
- Protections: short circuit/over load/over voltage
- Input Rated Frequency 50/60Hz
- Withstand 290VAC surge input for 5 seconds
- 100% full load burn-in test
- LED indicator for power on
- With stable output ripple

| Model | | AM-600-12 | AM-600-15 | AM-600-24 | AM-600-27 | AM-600-36 | AM-600-48 |
|------------|--------------------------|-----------------------------|-----------------------------|-----------------------------|-----------------------------|-----------------------------|-----------------------------|
| Output | DC VOLTAGE | 12V | 15V | 24V | 27V | 36V | 48V |
| | RATED CURRENT | 50A | 40A | 25A | 22.22A | 16.66A | 12.5A |
| | RATED POWER | 600W | 600W | 600W | 600W | 600W | 600W |
| | RIPPLE & NOISE (MAX) | ≤150 mV | ≤150 mV | ≤240 mV | ≤270 mV | ≤360 mV | ≤480 mV |
| | VOLTAGE ADJUSTABLE RANGE | 10.5-13.5V | 13.2-16.8V | 20-26.4V | 24-30V | 32-40V | 41-56V |
| | VOLTAGE TOLERANCE | ± 6.1% | ±6.1% | ± 6.1% | ±6.1% | ±6.1% | ±6.1% |
| | LINE REGULATION | ± 1.5% | ±1.5% | ± 1.5% | ±1.5% | ±1.5% | ±1.5% |
| | LOAD REGULATION | ± 3.0% | ±3.0% | ± 3.0% | ±3.0% | ±3.0% | ±3.0% |
| Input | EFFICIENCY (TYPICAL) | 81-86% (230VAC) | 82-87% (230VAC) | 83-88% (230VAC) | 84-89% (230VAC) | 85-90% (230VAC) | 87-92% (230VAC) |
| | VOLTAGE RANGE | 90-130VAC | 90-130VAC | 90-130VAC | 90-130VAC | 90-130VAC | 90-130VAC |
| | FREQUENCY RANGE | 47-63 Hz | 47-63 Hz | 47-63 Hz | 47-63 Hz | 47-63 Hz | 47-63 Hz |
| | AC CURRENT (TYPICAL) | 9A/115VAC | 9A/115VAC | 9A/115VAC | 9A/115VAC | 9A/115VAC | 9A/115VAC |
| | IN RUSH CURRENT | 40A/115VAC | 40A/115VAC | 40A/115VAC | 40A/115VAC | 40A/115VAC | 40A/115VAC |
| Protection | OVER CURRENT | 100 -150% RATE POWER OUTPUT | 110 -150% RATE POWER OUTPUT | 110 -150% RATE POWER OUTPUT | 110 -150% RATE POWER OUTPUT | 110 -150% RATE POWER OUTPUT | 110 -150% RATE POWER OUTPUT |
| | OVER VOLTAGE | 12.75 ~ 13.75V | 15.8 ~ 17.1V | 25.5 ~ 27.5V | 28.5 ~ 31.1V | 38.0 ~ 41.0V | 51.0 ~ 55.0V |

Dimensions: 241*125*66mm (L*W*H)

Package weight: 1.25kg

USA & North America model, suitable for 90-130VAC input voltage.

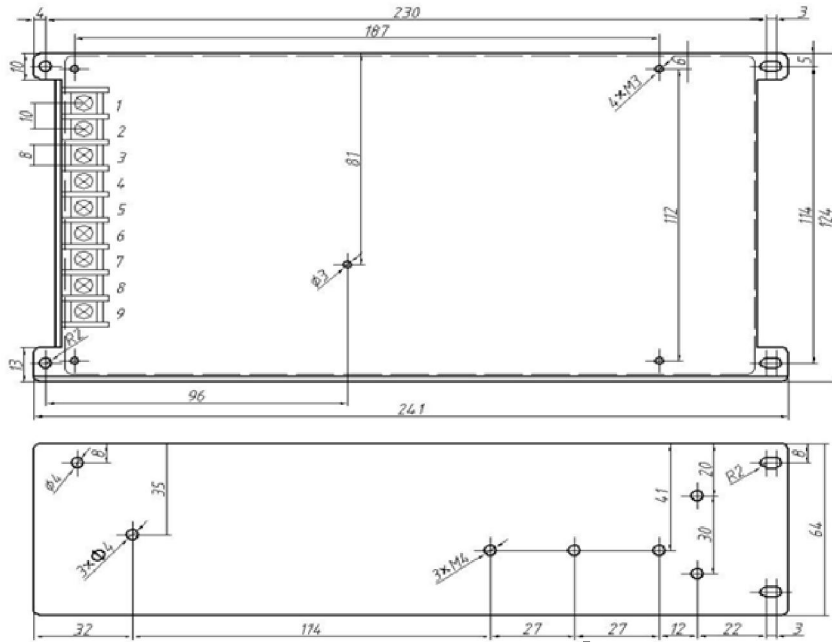
Switch inside power supply shell for alternative voltage ranges (170 - 250VAC), please contact manufacturer for details.

Please note:

- 1.All parameters NOT specially mentioned are measured at 230VAC input, rated load and 23°C of ambient temperature.
- 2.Ripple & noise are measured at 20MHz of bandwidth by using a 12" twisted pair-wire terminated with a 0.1uf & 47uf parallel capacitor.
3. Tolerance : includes set up tolerance, line regulation and load regulation.
4. Line regulation is measured from low line to high line at rated load.
5. Constant current operation region is within 20%~ 100% rated output voltage. Others are 60% rated output voltage.
- 6.Each output is normal within the constant current ,but the total output power must not exceed the rated output power.
- 7.The power supply is considered a component which will be installed into a final equipment. The final equipment manufacturers must re-qualify that it still meets EMC Directives.

600W Triple Output Switch Power Supply Ordinary 600W

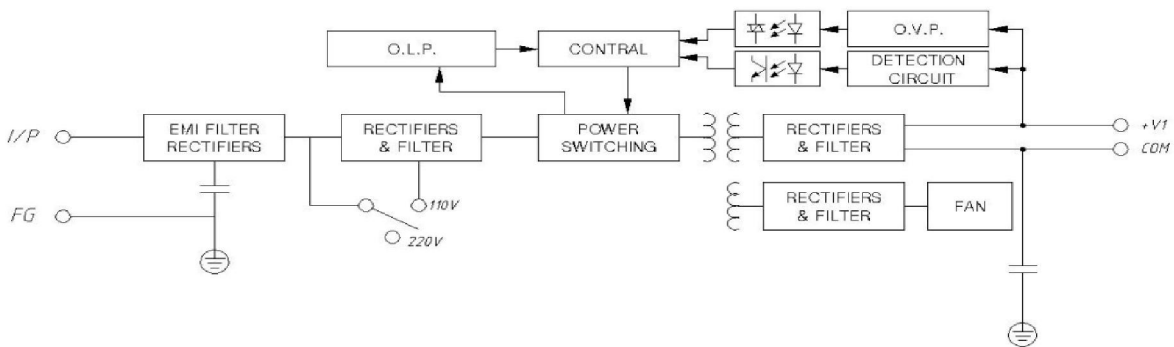
◆ Mechanical Specification



TERMINAL Pin NO. ASSIGNMENT

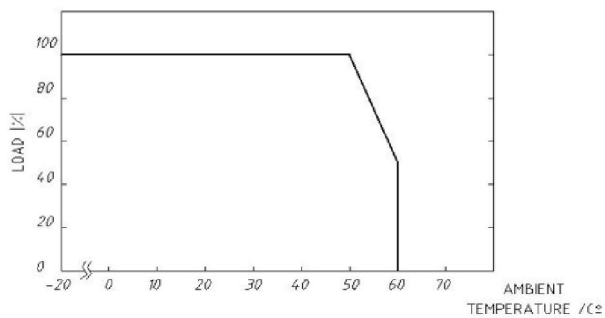
| Pin NO. | ASSIGNMENT |
|---------|---------------|
| 1 | AC INPUT /L |
| 2 | AC INPUT /N |
| 3 | FG \perp |
| 4 | DC OUTPUT COM |
| 5 | DC OUTPUT COM |
| 6 | DC OUTPUT COM |
| 7 | DC OUTPUT |
| 8 | DC OUTPUT |
| 9 | DC OUTPUT |

◆ Block Diagram



◆ Characteristic Curve

* Load The Derating Curve



* Static Characteristics

