



# 500W Single Output Power Supply AM-500W series (110-220V)




### □ Features :

- AC input range can be changed using switch
- Input voltage: 90-130V / 180-260V
- With stable output ripple
- Fan cooling when TEMP > 55°C
- Protections: short circuit/over load/over voltage
- Input Rated Frequency 50/60Hz
- Built-in constant current limiting circuit
- 100% full load burn-in test
- LED indicator for power on
- Withstand 290VAC surge input for 5 seconds

Model		AM-500-12	AM-500-15	AM-500-24	AM-500-27	AM-500-36	AM-500-48
Output	DC VOLTAGE	12V	15V	24V	27V	36V	48V
	RATED CURRENT	41.66A	33.33A	20.83A	18.51A	13.89A	10.42A
	RATED POWER	500W	500W	500W	500W	500W	500W
	RIPPLE & NOISE (MAX)	≤150 mV	≤150 mV	≤240 mV	≤270 mV	≤360 mV	≤480 mV
	VOLTAGE ADJUSTABLE RANGE	10.5-13.5V	13.2-16.8V	20-26.4V	24-30V	32-40V	41-56V
	VOLTAGE TOLERANCE	±6.1%	±6.1%	±6.1%	±6.1%	±6.1%	±6.1%
	LINE REGULATION	±1.5%	±1.5%	±1.5%	±1.5%	±1.5%	±1.5%
	LOAD REGULATION	±3.0%	±3.0%	±3.0%	±3.0%	±3.0%	±3.0%
Input	EFFICIENCY (TYPICAL)	81-86% (230VAC)	82-87% (230VAC)	83-88% (230VAC)	84-89% (230VAC)	85-90% (230VAC)	87-92% (230VAC)
	VOLTAGE RANGE	90-130/180-260VAC	90-130/180-260VAC	90-130/180-260VAC	90-130/180-260VAC	90-130/180-260VAC	90-130/180-260VAC
	FREQUENCY RANGE	47-63 Hz	47-63 Hz	47-63 Hz	47-63 Hz	47-63 Hz	47-63 Hz
	AC CURRENT (TYPICAL)	8A/115VAC	8A/115VAC	8A/115VAC	8A/115VAC	8A/115VAC	8A/115VAC
	IN RUSH CURRENT	40A/115VAC	40A/115VAC	40A/115VAC	40A/115VAC	40A/115VAC	40A/115VAC
Protection	OVER LOAD	110 -150% RATE POWER OUTPUT	110 -150% RATE POWER OUTPUT	110 -150% RATE POWER OUTPUT	110 -150% RATE POWER OUTPUT	110 -150% RATE POWER OUTPUT	110 -150% RATE POWER OUTPUT
	OVER VOLTAGE	12.75 ~ 13.75V	15.8 ~ 17.1V	25.5 ~ 27.5V	28.5 ~ 31.1V	38 ~ 41V	51 ~ 55V

**Dimensions:** 215\*115\*52mm (L\*W\*H)

**Package weight:** 0.82 kg

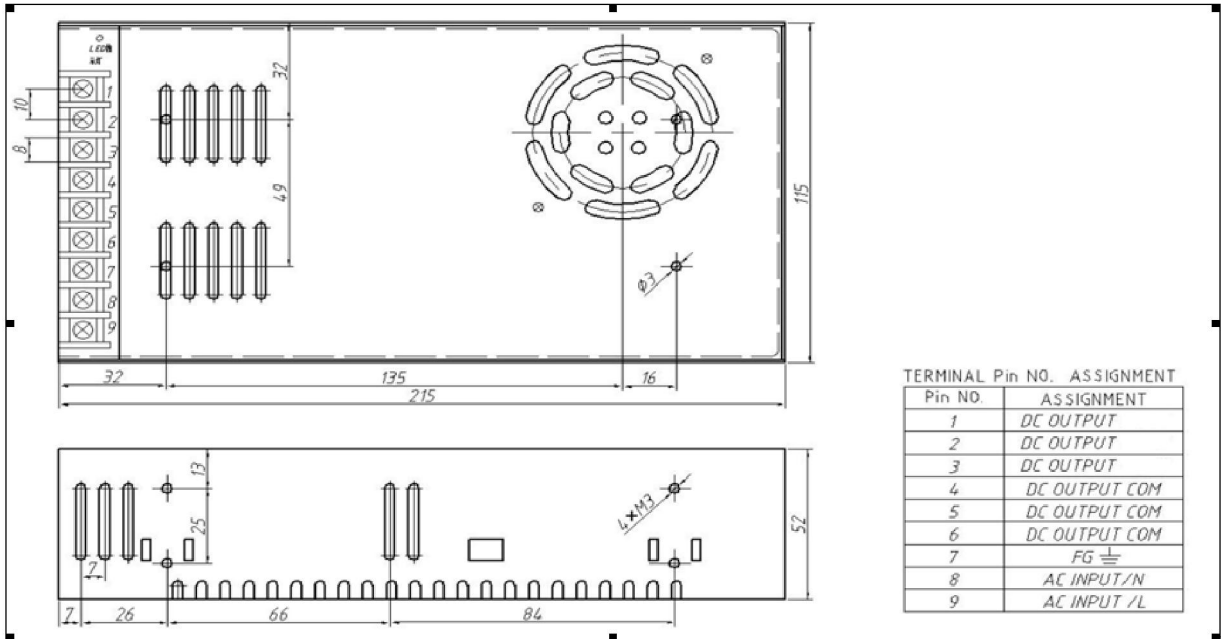
USA & North America model,  ble for 90-130VAC input voltage. Input voltage can be changed using switch on the side of the power supply.

### Please note:

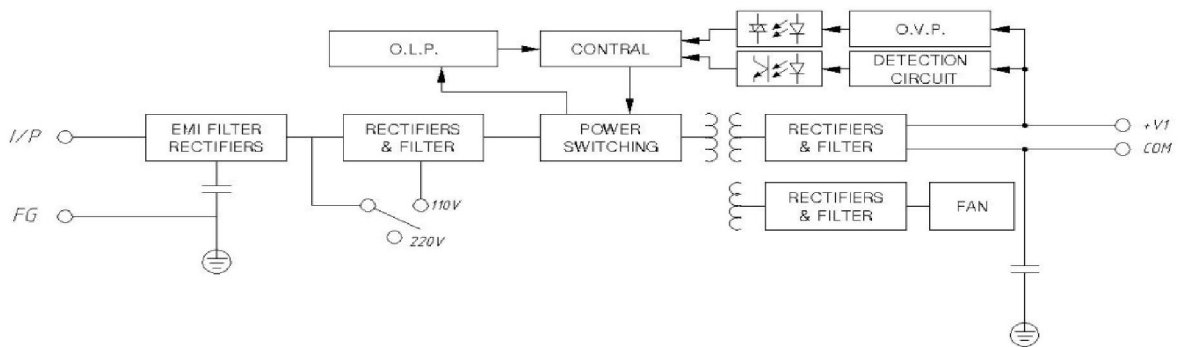
1. All parameters NOT specially mentioned are measured at 230VAC input, rated load and 23°C of ambient temperature.
2. Ripple & noise are measured at 20MHz of bandwidth by using a 12" twisted pair-wire terminated with a 0.1uf & 47uf parallel capacitor.
3. Tolerance : includes set up tolerance, line regulation and load regulation.
4. Line regulation is measured from low line to high line at rated load.
5. Constant current operation region is within 20%-100% rated output voltage. Others are 60% rated output voltage.
6. Each output is normal within the constant current , but the total output power must not exceed the rated output power.
7. The power supply is considered a component which will be installed into a final equipment. The final equipment manufacturers must re-qualify that it still meets EMC Directives.

# 500W Triple Output Switch Power Supply Ordinary 500W

## ◆ Mechanical Specification

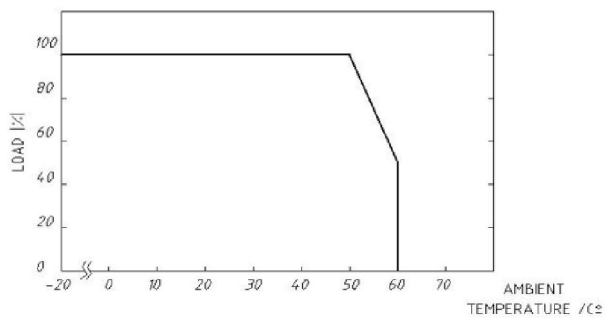


## ◆ Block Diagram



## ◆ Characteristic Curve

\* Load The Derating Curve



\* Static Characteristics

