



400W Switching Power Supply AM-400W series (110-220V)



□ Features :

- AC input range can be change via switch
- Input Voltage : 90 to 130VAC or 170 to 264VAC
- Fan cooling when TEMP > 55°C
- Protections: short circuit/over load/over voltage
- Built-in cooling Fan ON-OFF control
- Input Rated Frequency 50/60Hz
- Built-in constant current limiting circuit
- 100% full load burn-in test
- LED indicator for power on
- Withstand 290VAC surge input for 5 seconds

Model		AM-400-12	AM-400-15	AM-400-24	AM-400-27	AM-400-36	AM-400-48
Output	DC VOLTAGE	12V	15V	24V	27V	36V	48V
	RATED CURRENT	33.33A	26.67A	16.67A	14.81A	11.11A	8.33A
	RATED POWER	400W	400W	400W	400W	400W	400W
	RIPPLE & NOISE (MAX)	≤150 mV	≤150 mV	≤240 mV	≤270 mV	≤360 mV	≤480 mV
	VOLTAGE ADJUSTABLE RANGE	10.5-13.5V	13.5-16.5V	20-26.4V	25-29V	32-40V	41-56V
	VOLTAGE TOLERANCE	±6.1%	±6.1%	±6.1%	±6.1%	±6.1%	±6.1%
	LINE REGULATION	±1.5%	±1.5%	±1.5%	±1.5%	±1.5%	±1.5%
	LOAD REGULATION	±3.0%	±3.0%	±3.0%	±3.0%	±3.0%	±3.0%
Input	EFFICIENCY (TYPICAL)	81-86% (230VAC)	82-87% (230VAC)	83-88% (230VAC)	84-89% (230VAC)	85-90% (230VAC)	87-92% (230VAC)
	VOLTAGE RANGE	90-130V/180-260VAC	90-130V/180-260VAC	90-130V/180-260VAC	90-130V/180-260VAC	90-130V/180-260VAC	90-130V/180-260VAC
	FREQUENCY RANGE	47-63 Hz	47-63 Hz	47-63 Hz	47-63 Hz	47-63 Hz	47-63 Hz
	AC CURRENT (TYPICAL)	≤ 7A/115VAC 4A/230VAC	≤ 7A/115VAC 4A/230VAC	≤ 7A/115VAC 4A/230VAC	≤ 7A/115VAC 4A/230VAC	≤ 7A/115VAC 4A/230VAC	≤ 7A/115VAC 4A/230VAC
	IN RUSH CURRENT	≤ 40A/115VAC 60A/230VAC	≤ 40A/115VAC 60A/230VAC	≤ 40A/115VAC 60A/230VAC	≤ 40A/115VAC 60A/230VAC	≤ 40A/115VAC 60A/230VAC	≤ 40A/115VAC 60A/230VAC
Protection	OVER CURRENT	110 -150% RATE POWER OUTPUT	110 -150% RATE POWER OUTPUT	110 -150% RATE POWER OUTPUT	110 -150% RATE POWER OUTPUT	110 -150% RATE POWER OUTPUT	110 -150% RATE POWER OUTPUT
	OVER VOLTAGE	12.75 ~ 13.75V	15.8 ~ 17.1V	25.5 ~ 27.5V	28.5 ~ 31.1V	38 ~ 41V	51 ~ 55V
Environment	WORKING TEMP	-20°C ~ +70°C	-20°C ~ +70°C	-20°C ~ +70°C	-20°C ~ +70°C	-20°C ~ +70°C	-20°C ~ +70°C
	WORKING HUMIDITY	20~90%RH	20~90%RH	20~90%RH	20~90%RH	20~90%RH	20~90%RH
	VIBRATION	10 ~ 500HZ, 5G 10min/cycle, each along X, Y, Z axes 60mins					

Dimensions: 215*115*52mm (L*W*H)

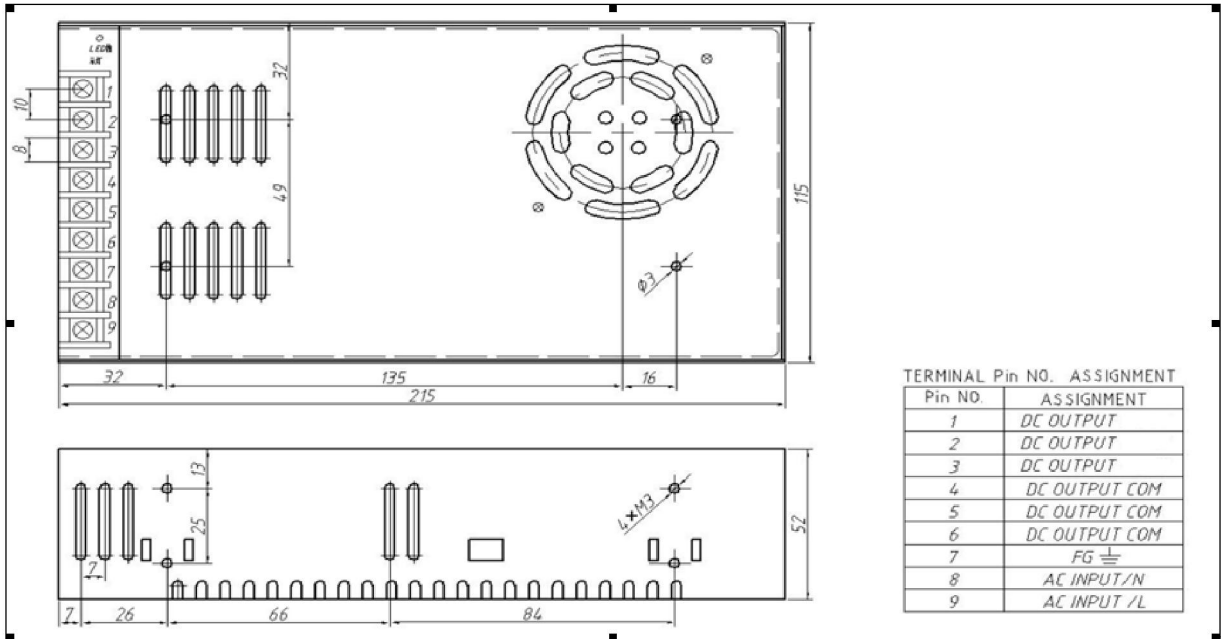
Package weight: 0.8 kg

Notes

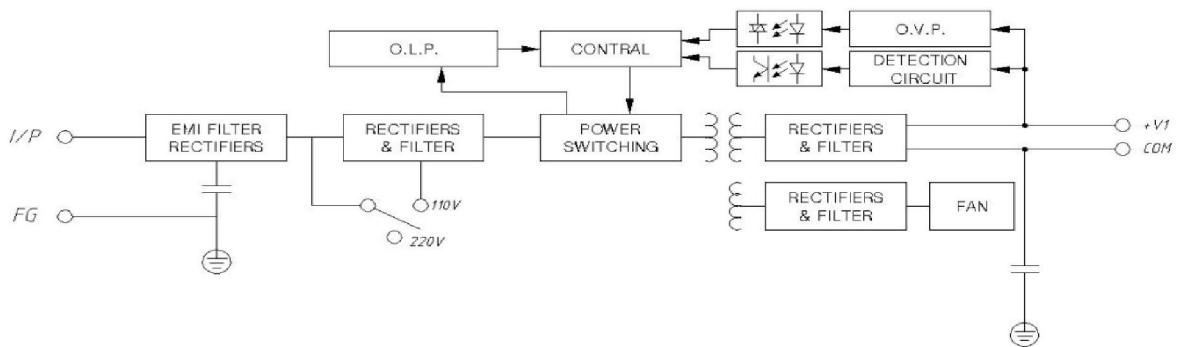
1. This power supply is switchable so the input voltage can be changed according to the geographical area and need.
2. Switch on the side lets users select 110V or 220V as needed.
3. For USA and North America please set voltage switch to 110V.
4. All parameters NOT specially mentioned are measured at 230VAC input, rated load and 23°C of ambient temperature.
5. Ripple & noise are measured at 20MHz of bandwidth by using a 12" twisted pair-wire terminated with a 0.1uf & 47uf parallel capacitor.
6. The power supply is considered a component which will be installed into a final equipment. The final equipment manufacturers must re-qualify that it still meets EMC Directives.

400W Triple Output Switch Power Supply Ordinary 400W

◆ Mechanical Specification

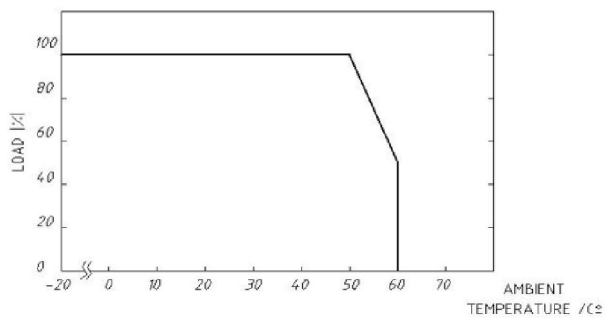


◆ Block Diagram



◆ Characteristic Curve

* Load The Derating Curve



* Static Characteristics

